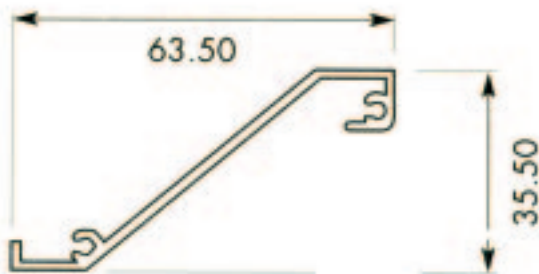


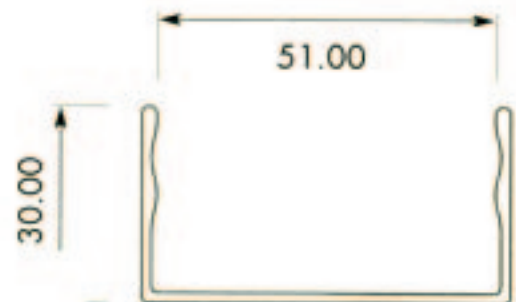
Sheet Stock Sizes	Alloy Temper	Kgs/sheet	Min Bend Radius (mm)
0.7 X 1200 X 2400	5005 H34	5.5	0
0.8 X 1200 X 2400	5005 H34	6.3	0
1.2 X 1200 X 2400	5005 H34	9.4	0
2.0 X 1200 X 2400	5005 H34	15.5	1.0
3.0 X 1200 X 2400	5005 H34	23.4	3.0
3.0 X 1200 X 3600	5005 H34	35.10	3.0
3.0 X 1500 X 3600	5005 H34	43.9	3.0
5.0 X 1200 X 2400	5005 H34	39.0	6.5
2.5 X 1200 X 2400	5005 H32	19.5	4.5
3.0 X 1200 X 2400	5005 H32	23.4	5.0
4.0 X 1200 X 2400	5005 H32	31.2	6.0

Treadplate	Alloy Temper	Kgs/sheet	Min Bend Radius (mm)
3.0 X 1200 X 2400	5251 H32	25.6	8.0

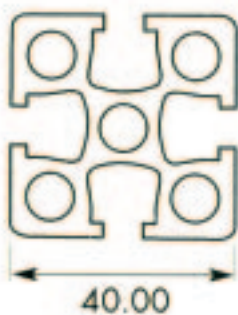
Note: the bend radius quoted are recommended Minimums only. Sizes offered are subject to availability at time of order.



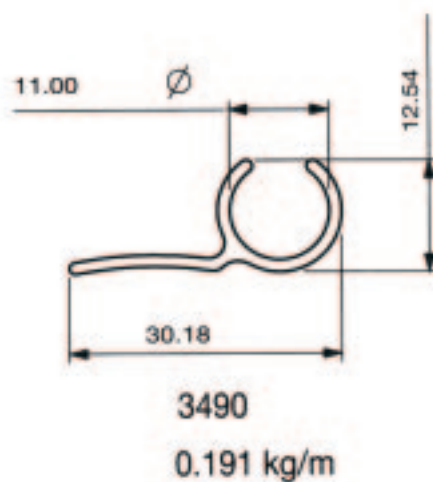
Section No. G452, Louvre
0.436kg/m, per 211



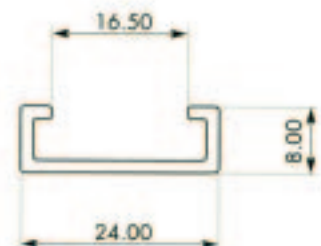
Section No. 8570
0.501kg/m, per 227



Industrial Section



3490
0.191 kg/m



Section No. 3073, Lipped Channel