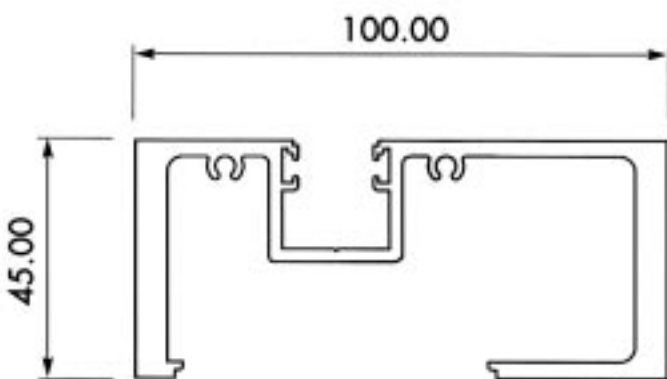
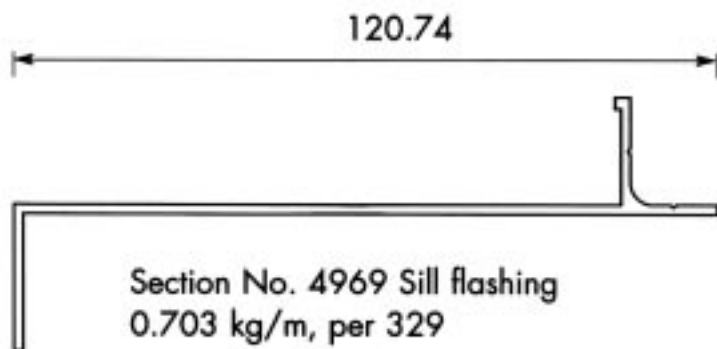


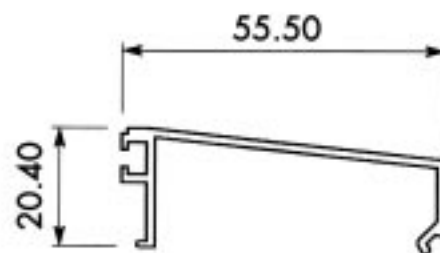
Section No. G060 Transom  
1.295 kg/m, per 514



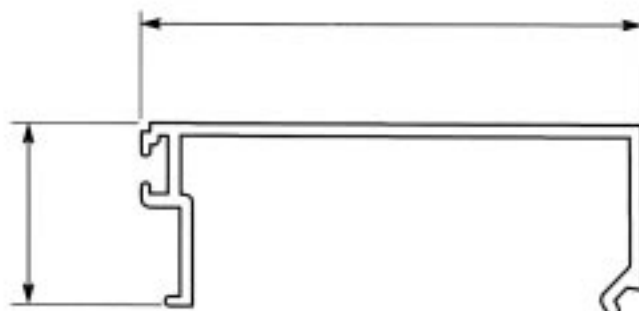
Section No. G252 Heavy duty mullion  
2.828 kg/m, per 576



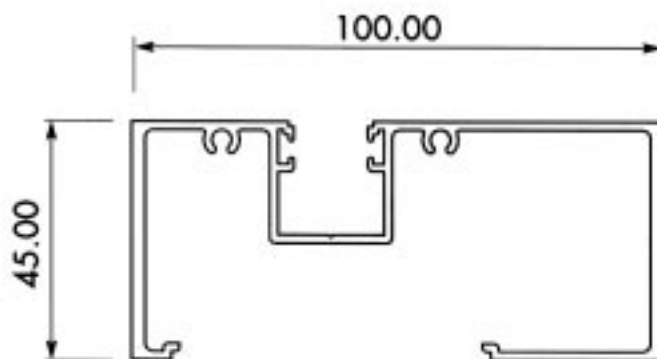
Section No. 4969 Sill flashing  
0.703 kg/m, per 329



Section No. 7757 Sloping bead  
0.384 kg/m, per 199



Section No. 30299 Square Bead  
0.399 kg/m, per 212.14



Section No. G061 Mullion  
1.531 kg/m, per 605



Section No. 5706 Pocket infill  
0.122 kg/m, per 75

**Not to Scale**