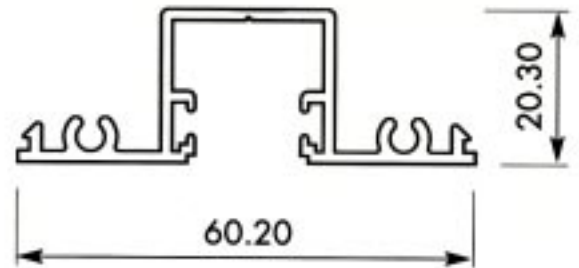
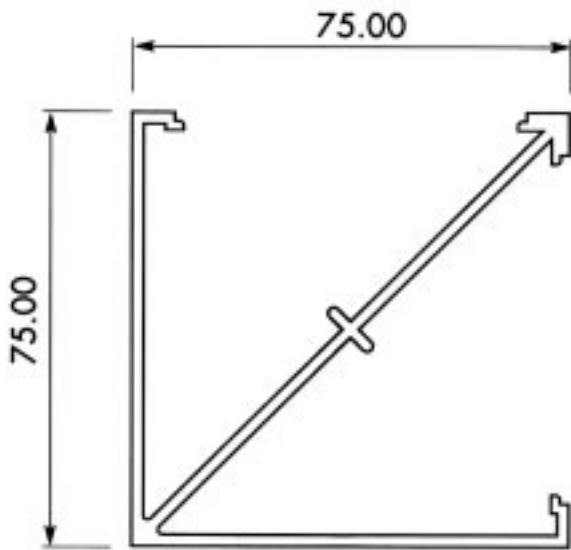


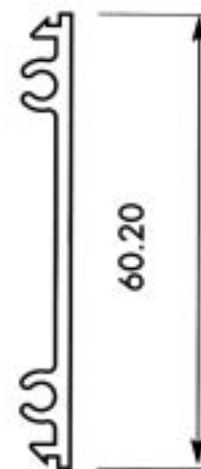
Section No. 9698
Shallow Glazing Pocket



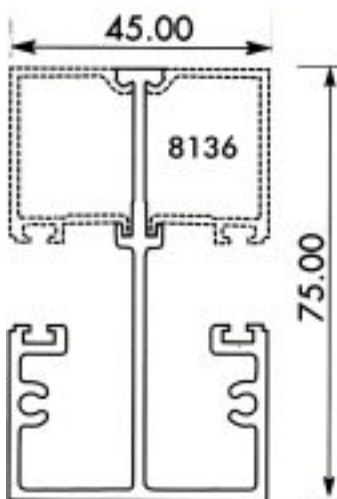
Section No. G062
Standard Glazing Pocket



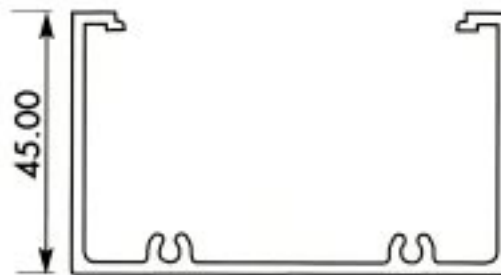
Section No. 3882 Corner Post
1.568 kg/m, per 565



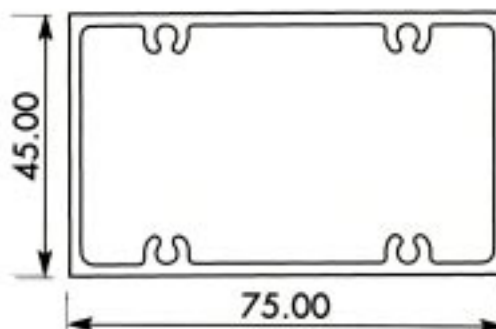
Section No. 5581 Plain infill
0.430 kg/m, per 168



Section No. 8706 Glazing Bar
1.286 kg/m, per 462



Section No. 6726
1.066 kg/m, per 387



Section No. 7771
1.491 kg/m, per 240

Not to Scale