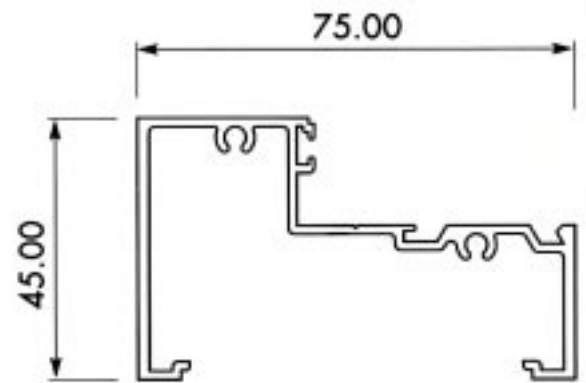
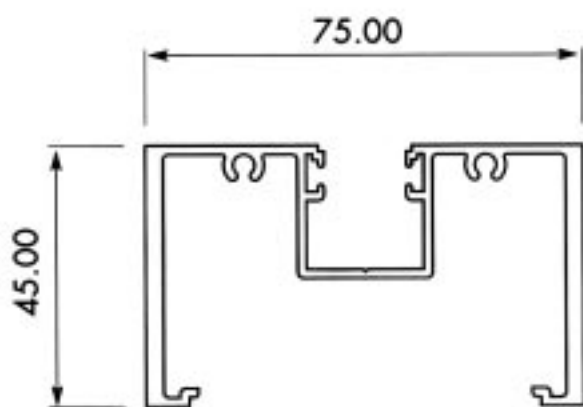


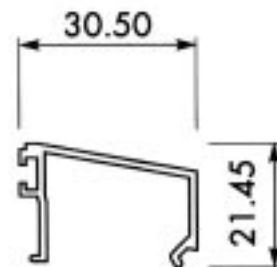
Section No. G058 Mullion
1.057 kg/m, per 511



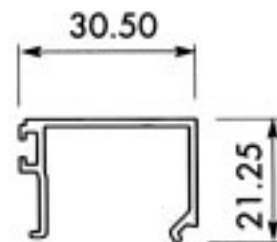
Section No. G083 Transom
0.972 kg/m, per 422



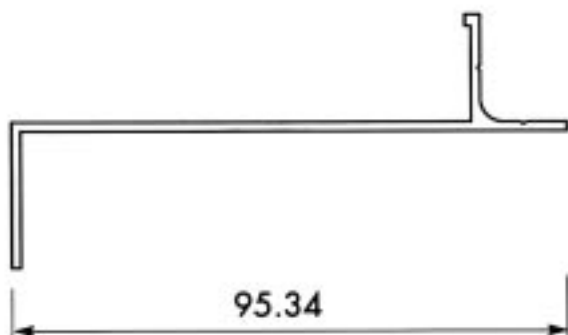
Section No. G059 Heavy Duty Mullion
1.398 kg/m, per 505



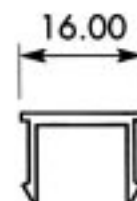
Section No. 7754 Sloping bead
0.266 kg/m, per 150



Section No. 8136 Square bead
0.281 kg/m, per 157



Section No. 4895 Sill flashing
0.595 kg/m, per 278



Section No. 5706 Pocket infill
0.122 kg/m, per 75

Not to Scale