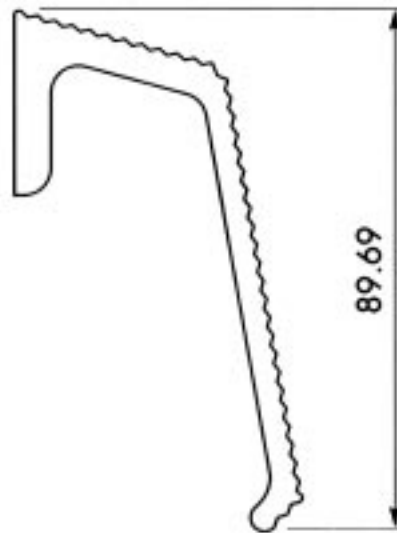
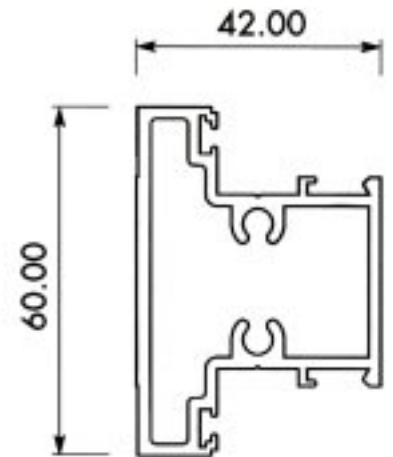


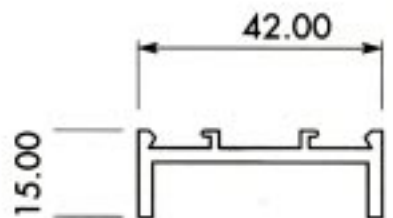
Section No. G611
Wide Lock Stile
1.998 kg/m, per 421



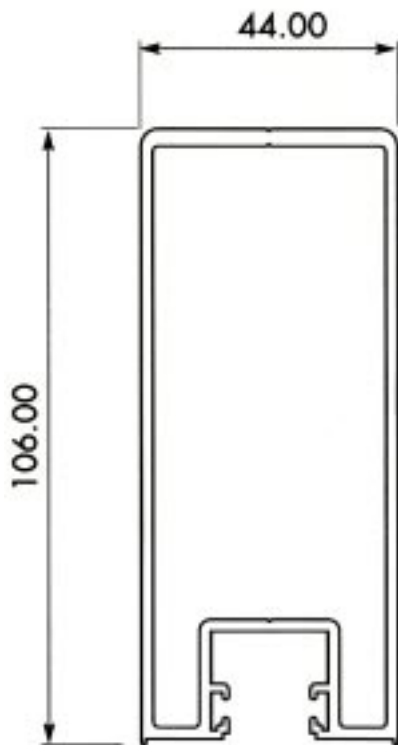
Section No. 0757
Door Handle
250 mm long



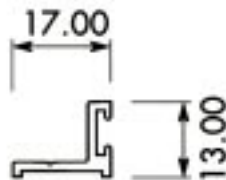
Section No. G251
Narrow Vision Rail
1.4 kg/m, per 259



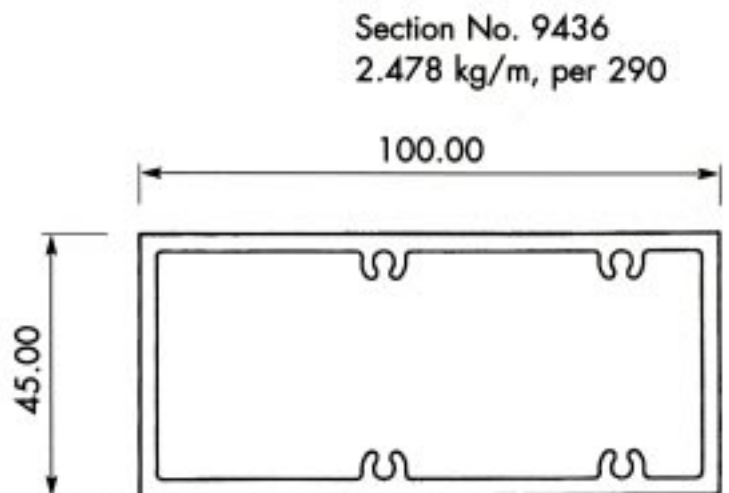
Section No. 5620
Infill Vision Rail
0.484 kg/m, per 157



Section No. G419 Wide Hinge Stile
1.937 kg/m, per 371



Section No. 6136 Door Stop
0.149 kg/m, per 72



Section No. 9436
2.478 kg/m, per 290

Not to Scale